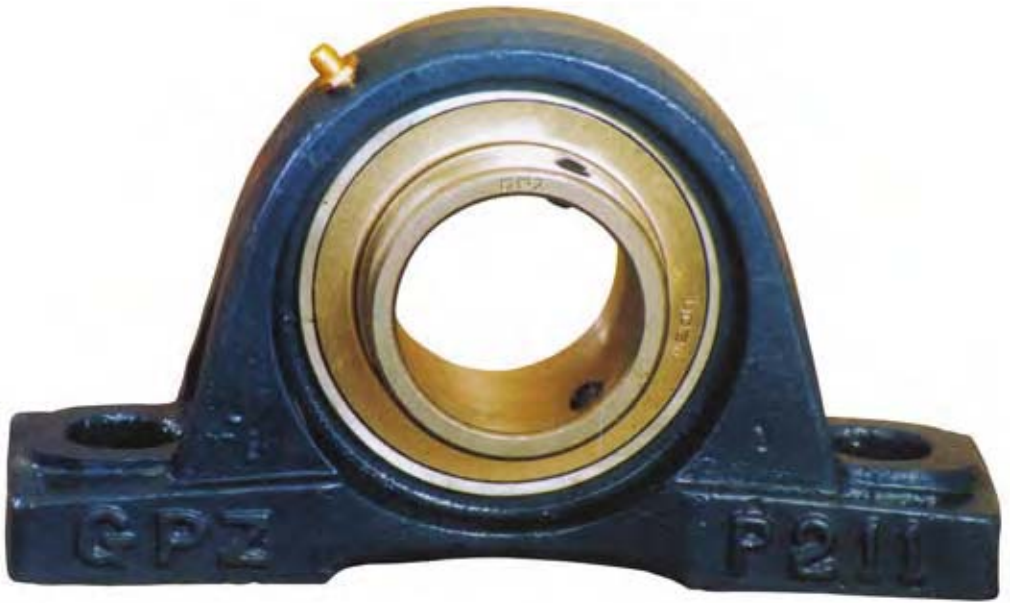


RODAMIENTO CON SOPORTE



PILLOW BLOCK CHUMACEIRAS PALIERS



UCP



UCPA



UCF



UCFL



UCFC



UCT



SAPP
SBPP



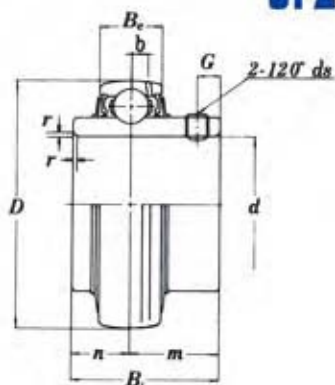
SAPFL
SBPFL



SAPP
SBPF

RODAMIENTOS BEARINGS

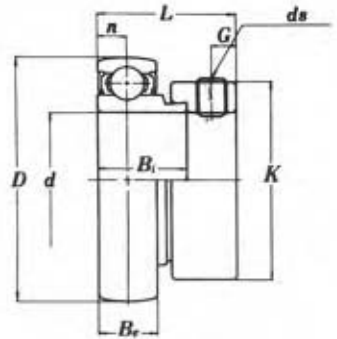
Serie UC-200 Series



RODAMIENTO BEARING N°	DIMENSIONES-DIMENSIONS (mm. ó in.)							CAPACIDAD DE CARGA LOAD RATING		PESO WEIGHT Kg
	d	D	Bi	Be	n	m	G	DINAMICA DYNAMIC Kgs	ESTATICA STATIC Kgs	
UC-201	12	47	31	16	12.7	18.3	5	1.280	650	0.21
UC-201-8	1/2 "	47	31	16	12.7	18.3	5	1.280	650	0.21
UC-202	15	47	31	16	12.7	18.3	5	1.280	650	0.19
UC-202-10	5/8 "	47	31	16	12.7	18.3	5	1.280	650	0.19
UC-203	17	47	31	16	12.7	18.3	5	1.280	650	0.18
UC-204-12	3/4 "	47	31	16	12.7	18.3	5	1.280	650	0.16
UC-204	20	47	31	16	12.7	18.3	5	1.280	650	0.16
UC-205	25	52	34	17	14.3	19.7	5.5	1.400	730	0.20
UC-205-16	1 "	52	34	17	14.3	19.7	5.5	1.400	730	0.20
UC-206-18	1-1/8 "	62	38.1	19	15.9	22.2	6	1.950	1.050	0.34
UC-206	30	62	38.1	19	15.9	22.2	6	1.950	1.050	0.32
UC-207-20	1-1/4 "	72	42.9	20	17.5	25.4	6.5	2.570	1.430	0.54
UC-207	35	72	42.9	20	17.5	25.4	6.5	2.570	1.430	0.48
UC-208-24	1-1/2 "	80	49.2	21	19	30.2	8	2.910	1.650	0.68
UC-208	40	80	49.2	21	19	30.2	8	2.910	1.650	0.64
UC-209-28	1-3/4 "	85	49.2	22	19	30.2	8	3.200	1.850	0.70
UC-209	45	85	49.2	22	9	30.2	8	3.200	1.850	0.68
UC-210	50	90	51.6	23	19	32.6	9	3.510	2.100	0.80
UC-211-32	2 "	100	55.6	25	22.2	33.4	9	4.330	2.660	1.26
UC-211	55	100	55.6	25	22.2	33.4	9	4.330	2.660	1.11
UC-212-36	2-1/4 "	110	65.1	27	25.4	39.7	10.5	5.240	3.300	1.67
UC-212	60	110	65.1	27	25.4	39.7	10.5	5.240	3.300	1.54
UC-213-40	2-1/2 "	120	65.1	29	25.4	39.7	12	5.720	3.650	1.94
UC-213	65	120	65.1	29	25.4	39.7	12	5.720	3.650	1.85
UC-214	70	125	74.6	29	30.2	44.4	12	6.220	4.000	2.05
UC-215	75	130	77.8	30	33.3	44.5	12	6.740	4.400	2.21
UC-215-48	3 "	130	77.8	30	33.3	44.5	12	6.740	4.400	2.12
UC-216	80	140	82.6	32	33.3	49.3	14	7.260	4.750	2.79
UC-217	85	150	85.7	34	34.1	51.6	14	8.390	5.600	3.45
UC-218	90	160	96	36	39.7	56.3	15	9.600	6.450	4.35

RODAMIENTOS BEARINGS

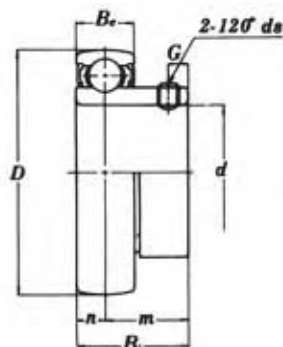
Serie SA-200
Series



RODAMIENTO BEARING N°	DIMENSIONES-DIMENSIONS (mm. ó in.)								CAPACIDAD DE CARGA LOAD RATING		PESO WEIGHT Kg
	d	Be	D	Bi	n	L	K	G	DINAMICA	ESTATICA	
									DYNAMIC Kgs	STATIC Kgs	
SA-201	12	12	40	19.1	6	28.6	28.6	4.8	960	460	0.13
SA-201-8	1/2 "	12	40	19.1	6	28.6	28.6	4.8	960	460	0.13
SA-202	15	12	40	19.1	6	28.6	28.6	4.8	960	460	0.13
SA-202-10	5/18 "	12	40	19.1	6	28.6	28.6	4.8	960	460	0.13
SA-203	17	12	40	19.1	6	28.6	28.6	4.8	960	460	0.13
SA-204-12	3/4 "	14	47	21.4	7.5	31	32	4.8	1,280	650	0.15
SA-204	20	14	47	21.4	7.5	31	32	4.8	1,280	650	0.15
SA-205	25	15	52	21.5	7.5	31	38.1	4.8	1,400	730	0.22
SA-205-16	1 "	15	52	21.5	7.5	31	38.1	4.8	1,400	730	0.22
SA-206-18	1-1/8 "	16	62	23.8	9	35.7	44.4	6	1,950	1,050	0.30
SA-206	30	16	62	23.8	9	35.7	44.4	6	1,950	1,050	0.30
SA-206-20	1-1/4 "	16	62	23.8	9	35.7	44.4	6	1,950	1,050	0.30
SA-207-20	1-1/4 "	17	72	25.4	9.5	38.9	55.6	6.8	2,570	1,430	0.50
SA-207	35	17	72	25.4	9.5	38.9	55.6	6.8	2,570	1,430	0.50
SA-208-24	1-1/2 "	18	80	30.2	11	43.7	60.3	6.8	2,910	1,650	0.67
SA-208	40	18	80	30.2	11	43.7	60.3	6.8	2,910	1,650	0.67
SA-209-28	1-3/4 "	19	85	30.2	11	43.7	63.5	6.8	3,200	1,850	
SA-209	45	19	85	30.2	11	43.7	63.5	6.8	3,200	1,850	

RODAMIENTO CON SOPORTE DE CHAPA

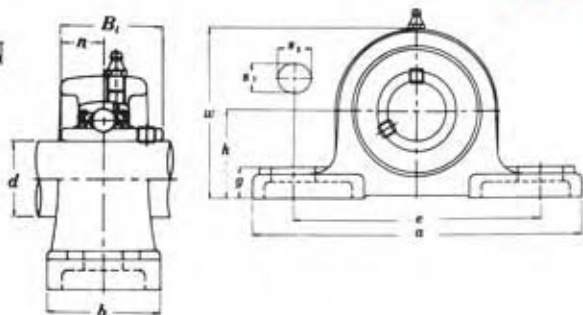
Serie SB-200
Series



RODAMIENTO BEARING N°	DIMENSIONES-DIMENSIONS (mm. ó in.)							CAPACIDAD DE CARGA LOAD RATING		PESO WEIGHT Kg
	d	Be	D	Bi	n	m	G	DINAMICA DYNAMIC Kgs	ESTATICA STATIC Kgs	
SB-201	12	12	40	22	6	16	4.8	960	460	0.10
SB-201-8	1/2 "	12	40	22	6	16	4.8	960	460	0.10
SB-202	15	12	40	22	6	16	4.8	960	460	0.10
SB-202-10	5/8 "	12	40	22	6	16	4.8	960	460	0.10
SB-203	17	12	40	22	6	16	4.8	960	460	0.10
SB-204-12	3/4 "	14	47	25	7	18	4.8	1.280	650	0.15
SB-204	20	14	47	25	7	18	4.8	1.280	650	0.15
SB-205	25	15	52	27	7.5	19.5	5.5	1.400	730	0.18
SB-205-16	1 "	15	52	27	7.5	19.5	5.5	1.400	730	0.18
SB-206-18	1-1/8 "	16	62	30	8	22	6	1.950	1.050	0.27
SB-206	30	16	62	30	8	22	6	1.950	1.050	0.27
SB-207-20	1-1/4 "	17	72	32	8.5	23.5	6.5	2.570	1.430	0.42
SB-207	35	17	72	32	8.5	23.5	6.5	2.570	1.430	0.42
SB-208-24	1-1/2 "	18	80	34	9	25	8	2.910	1.650	0.60
SB-208	40	18	80	34	9	25	8	2.910	1.650	0.60

RODAMIENTO CON SOPORTE DE FUNDICIÓN PILLOW BLOCKS

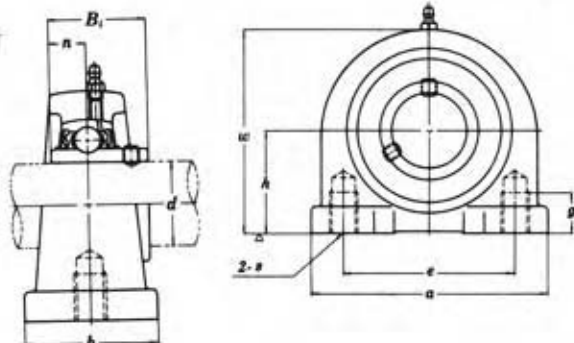
Serie UCP-200
Series



RODAMIENTO BEARING N°	DIMENSIONES-DIMENSIONS (mm. ó in.)											PESO WEIGHT Kg	
	d	h	a	e	b	S2	S1	g	w	t	Bi		n
UCP-201	12	30.2	127	95	38	19	13	12	60	44	31	12.7	0.61
UCP-201-8	1/2 "	30.2	127	95	38	19	13	12	60	44	31	12.7	0.61
UCP-202	15	30.2	127	95	38	19	13	12	60	44	31	12.7	0.61
UCP-202-10	5/8 "	30.2	127	95	38	19	13	12	60	44	31	12.7	0.61
UCP-203	17	30.2	127	95	38	19	13	12	60	44	31	12.7	0.61
UCP-204-12	3/4 "	33.3	127	95	38	19	13	13	64	44	31	12.7	0.66
UCP-204	20	33.3	127	95	38	19	13	13	64	44	31	12.7	0.66
UCP-205	25	36.5	140	105	38	19	13	13	71	48	34	14.3	0.8
UCP-205-16	1 "	36.5	140	105	38	19	13	13	71	48	34	14.3	0.8
UCP-206-18	1-1/8 "	42.9	165	121	48	21	17	15	84	52	38.1	15.9	1.3
UCP-206	30	42.9	165	121	48	21	17	15	84	52	38.1	15.9	1.3
UCP-207-20	1-1/4 "	47.6	167	127	48	21	17	16	93	59	42.9	17.5	1.6
UCP-207	35	47.6	167	127	48	21	17	16	93	59	42.9	17.5	1.6
UCP-208-24	1-1/2 "	49.2	184	137	54	21	17	17	98	68	49.2	19	2.0
UCP-208	40	49.2	184	137	54	21	17	17	98	68	49.2	19	2.0
UCP-209-28	1-3/4 "	54.0	190	146	54	21	17	17	106	68	49.2	19	2.2
UCP-209	45	54.0	190	146	54	21	17	17	106	68	49.2	19	2.2
UCP-210	50	57.2	206	159	60	22	20	19	113	73	51.6	19	2.9
UCP-211-32	2 "	63.5	219	171	60	22	20	19	125	75	55.6	22.2	3.6
UCP-211	55	63.5	219	171	60	22	20	19	125	75	55.6	22.2	3.6
UCP-212-36	2-1/4 "	69.8	241	184	70	25	20	22	138	88	65.1	25.4	4.9
UCP-212	60	69.8	241	184	70	25	20	22	138	88	65.1	25.4	4.9
UCP-213-40	2-1/2 "	76.2	265	203	70	30	25	25	150	88	65.1	25.4	5.9
UCP-213	65	76.2	265	203	70	30	25	25	150	88	65.1	25.4	5.9
UCP-214-44	2-3/4 "	79.4	266	210	72	30	25	28	156	98	74.6	30.2	6.8
UCP-214	70	79.4	266	210	72	30	25	28	156	98	74.6	30.2	6.8
UCP-215	75	82.6	275	217	74	30	25	28	162	98	77.8	33.3	7.4
UCP-215-48	3 "	82.6	275	217	74	30	25	28	162	98	77.8	33.3	7.4
UCP-216	80	88.9	292	232	78	35	25	32	174	108	82.6	33.3	9
UCP-217	85	95.2	310	247	83	40	25	32	185	112	85.7	34.1	10.8
UCP-218	90	101.6	327	262	88	45	27	34	198	112	96	39.7	13.9

RODAMIENTO CON SOPORTE DE FUNDICIÓN PILLOW BLOCKS

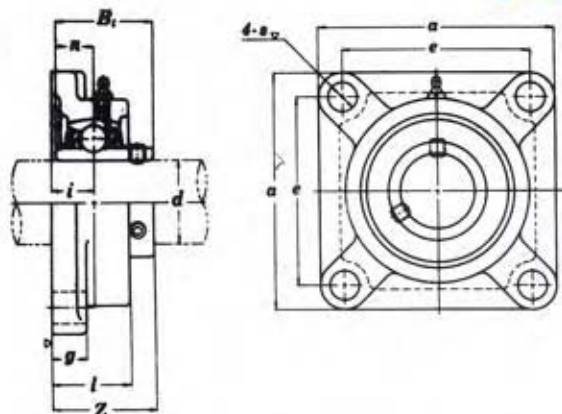
Serie UCPA 200
Series



RODAMIENTO BEARING Nº	DIMENSIONES-DIMENSIONS (mm. ó in.)										PESO WEIGHT Kg
	d	h	a	e	b	s (mm)	w	g	Bi	n	
UCPA-201	12	30.2	76	52	40	10	62	13	31	12.7	0.64
UCPA-201-8	1/2 "	30.2	76	52	40	10	62	13	31	12.7	0.64
UCPA-202	15	30.2	76	52	40	10	62	13	31	12.7	0.64
UCPA-202-10	5/8 "	30.2	76	52	40	10	62	13	31	12.7	0.64
UCPA-203	17	30.2	76	52	40	10	62	13	31	12.7	0.64
UCPA-204-12	3/4 "	30.2	76	52	40	10	62	13	31	12.7	0.64
UCPA-204	20	30.2	76	52	40	10	62	13	31	12.7	0.64
UCPA-205	25	36.5	84	56	45	10	72	13	34	14.3	0.83
UCPA-205-16	1 "	36.5	84	56	45	10	72	13	34	14.3	0.83
UCPA-206-18	1-1/8 "	42.9	94	66	50	14	84	18	38.1	15.9	1.2
UCPA-206	30	42.9	94	66	50	14	84	18	38.1	15.9	1.2
UCPA-207-20	1-1/4 "	47.6	110	80	55	14	95	20	42.9	17.5	1.7
UCPA-207	35	47.6	110	80	55	14	95	20	42.9	17.5	1.7
UCPA-208	40	49.2	116	84	58	14	100	20	49.2	19	2.0
UCPA-209	45	54.2	120	90	60	14	108	25	49.2	19	2.2
UCPA-210	50	57.2	130	94	64	16	116	25	51.6	19	2.8

RODAMIENTO CON SOPORTE DE FUNDICIÓN PILLOW BLOCKS

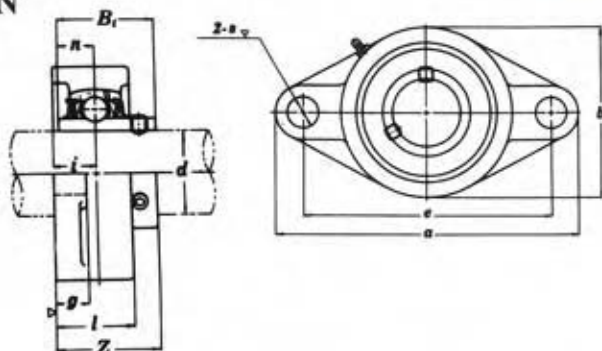
Serie UCF-200
Series



RODAMIENTO BEARING N°	DIMENSIONES-DIMENSIONS (mm. ó in.)											PESO WEIGHT Kg
	d	a	e	i	g	l	s	z	t	Bi	n	
UCF-201	12	86	64	15	11	25.4	12	33.3	37	31	12.7	0.62
UCF-201-8	1/2 "	86	64	15	11	25.4	12	33.3	37	31	12.7	0.62
UCF-202	15	86	64	15	11	25.4	12	33.3	37	31	12.7	0.62
UCF-202-10	5/8 "	86	64	15	11	25.4	12	33.3	37	31	12.7	0.62
UCF-203	17	86	64	15	11	25.4	12	33.3	37	31	12.7	0.62
UCF-204-12	3/4 "	86	64	15	11	25.4	12	33.3	37	31	12.7	0.62
UCF-204	20	86	64	15	11	25.4	12	33.3	37	31	12.7	0.62
UCF-205	25	95	70	16	13	27	12	35.7	40	34	14.3	0.83
UCF-205-16	1 "	95	70	16	13	27	12	35.7	40	34	14.3	0.83
UCF-206-18	1-1/8 "	108	83	18	13	31	12	40.2	44	38.1	15.9	1.1
UCF-206	30	108	83	18	13	31	12	40.2	44	38.1	15.9	1.1
UCF-207-20	1-1/4 "	117	92	19	15	34	14	44.4	49	42.9	17.5	1.5
UCF-207	35	117	92	19	15	34	14	44.4	49	42.9	17.5	1.5
UCF-208-24	1-1/2 "	130	102	21	15	36	16	51.2	55	49.2	19	1.9
UCF-208	40	130	102	21	15	36	16	51.2	55	49.2	19	1.9
UCF-209-28	1-3/4 "	137	105	22	16	38	16	52.2	56	49.2	19	2.2
UCF-209	45	137	105	22	16	38	16	52.2	56	49.2	19	2.2
UCF-210	50	143	111	22	16	40	16	54.6	59	51.6	22.2	2.5
UCF-211-32	2 "	162	130	25	18	43	19	58.4	63	55.6	25.4	3.4
UCF-211	55	162	130	25	18	43	19	58.4	63	55.6	25.4	3.4
UCF-212-36	2-1/4 "	175	143	29	22	48	19	68.7	73	65.1	25.4	4.2
UCF-212	60	175	143	29	22	48	19	68.7	73	65.1	25.4	4.2
UCF-213-40	2-1/2 "	187	149	30	22	50	19	69.7	74	65.1	30.2	5.2
UCF-213	65	187	149	30	22	50	19	69.7	74	65.1	30.2	5.2
UCF-214	70	193	152	31	22	54	19	75.4	80	74.6	33.3	5.9
UCF-215	75	200	159	34	22	56	19	78.5	83	77.8	33.3	6.4
UCF-215-48	3 "	200	159	34	22	56	19	78.5	83	77.8	33.3	6.4
UCF-216	80	208	165	34	22	58	23	83.3	88	82.6	33.3	7.3
UCF-217	85	220	175	36	24	63	23	87.6	92	85.7	34.1	8.9
UCF-218	90	235	187	40	25	68	23	96.3	101	96	39.7	11.4

RODAMIENTO CON SOPORTE DE FUNDICIÓN PILLOW BLOCKS

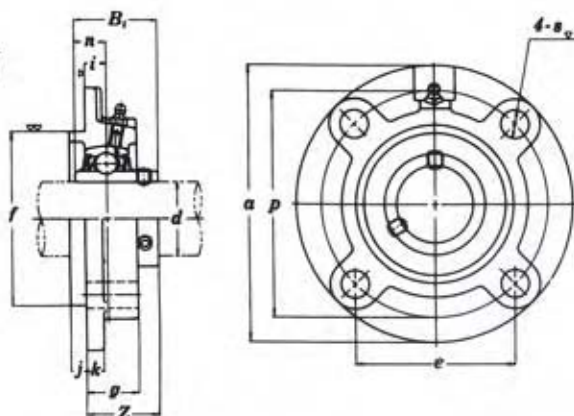
Serie UCFL-200
Series



RODAMIENTO BEARING N°	DIMENSIONES-DIMENSIONS (mm. ó in.)												PESO WEIGHT Kg
	d	a	e	i	g	t	s	b	z	t	Bi	n	
UCFL-201	12	113	19	15	11	25.5	12	60	33.3	37	31	12.7	0.48
UCFL-201-8	1/2 "	113	19	15	11	25.5	12	60	33.3	37	31	12.7	0.48
UCFL-202	15	113	19	15	11	25.5	12	60	33.3	37	31	12.7	0.48
UCFL-202-10	5/8 "	113	19	15	11	25.5	12	60	33.3	37	31	12.7	0.48
UCFL-203	17	113	19	15	11	25.5	12	60	33.3	37	31	12.7	0.48
UCFL-204-12	3/4 "	113	19	15	11	25.5	12	60	33.3	37	31	12.7	0.48
UCFL-204	20	113	19	15	11	25.5	12	60	33.3	37	31	12.7	0.48
UCFL-205	25	130	99	16	13	27	16	68	35.7	40	34	14.3	0.64
UCFL-205-16	1 "	130	99	16	13	27	16	68	35.7	40	34	14.3	0.64
UCFL-206	30	148	117	18	13	31	16	80	40.2	44	38.1	15.9	0.93
UCFL-207-20	1-1/4 "	161	130	19	14	34	16	90	44.4	49	42.9	17.5	1.2
UCFL-207	35	161	130	19	14	34	16	90	44.4	49	42.9	17.5	1.2
UCFL-208-24	1-1/2 "	175	144	21	14	36	16	100	51.2	55	49.2	19	1.6
UCFL-208	40	175	144	21	14	36	16	100	51.2	55	49.2	19	1.6
UCFL-209	45	188	148	22	15	38	19	108	52.2	56	49.2	19	1.9
UCFL-210	50	197	157	22	15	40	19	115	54.6	59	51.6	19	2.2
UCFL-211-32	2 "	224	184	25	18	43	19	130	58.4	63	55.6	22.2	3.3
UCFL-211	55	224	184	25	18	43	19	130	58.4	63	55.6	22.2	3.3
UCFL-212-36	2-1/4 "	250	202	29	18	48	23	140	68.7	73	65.1	25.4	4.2
UCFL-212	60	250	202	29	18	48	23	140	68.7	73	65.1	25.4	4.2
UCFL-213-40	2-1/2 "	258	210	30	20	50	23	155	69.7	74	65.1	25.4	5.1
UCFL-213	65	258	210	30	20	50	23	155	69.7	74	65.1	25.4	5.1
UCFL-214	70	265	216	31	20	54	23	160	75.4	80	74.6	30.2	5.7
UCFL-215	75	275	225	34	20	56	23	165	78.5	83	77.8	33.3	6.4
UCFL-215-48	3 "	275	225	34	20	56	23	165	78.5	83	77.8	33.3	6.4
UCFL-216	80	290	233	34	20	58	25	180	83.3	88	82.6	33.3	7.8
UCFL-217	85	350	248	36	22	63	25	190	87.6	92	85.7	34.1	9.8
UCFL-218	90	320	265	40	23	68	25	205	96.3	101	96	39.7	12.3

RODAMIENTO CON SOPORTE DE FUNDICIÓN PILLOW BLOCKS

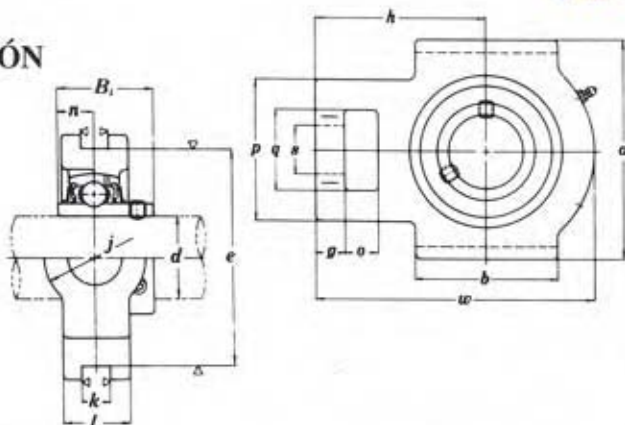
Serie UCFC 200
Series



RODAMIENTO BEARING N°	DIMENSIONES-DIMENSIONS (mm. ó in.)													PESO WEIGHT Kg	
	d	a	p	e	i	s	j	k	g	f	z	t	Bi		n
UCFC-201	12	100	78	55.1	10	12	5	7	20.5	62	28.3	32	31	12.7	0.78
UCFC-201-8	1/2"	100	78	55.1	10	12	5	7	20.5	62	28.3	32	31	12.7	0.78
UCFC-202	15	100	78	55.1	10	12	5	7	20.5	62	28.3	32	31	12.7	0.78
UCFC-202-10	5/8"	100	78	55.1	10	12	5	7	20.5	62	28.3	32	31	12.7	0.78
UCFC-203	17	100	78	55.1	10	12	5	7	20.5	62	28.3	32	31	12.7	0.78
UCFC-204-12	3/4"	100	78	55.1	10	12	5	7	20.5	62	28.3	32	31	12.7	0.78
UCFC-204	20	100	78	55.1	10	12	5	7	20.5	62	28.3	32	31	12.7	0.78
UCFC-205	25	115	90	63.6	10	12	8	7	21	70	29.7	34	34	14.3	0.95
UCFC-205-16	1"	115	90	63.6	10	12	8	7	21	70	29.7	34	34	14.3	0.95
UCFC-206-18	1-1/8"	115	100	70.7	10	12	8	8	23	80	32.2	36	38.1	15.9	1.3
UCFC-206	30	115	100	70.7	10	12	8	8	23	80	32.2	36	38.1	15.9	1.3
UCFC-207-20	1-1/4"	135	110	77.8	11	14	8	9	26	90	36.4	40.5	42.9	17.5	1.7
UCFC-207	35	135	110	77.8	11	14	8	9	26	90	36.4	40.5	42.9	17.5	1.7
UCFC-208	40	145	120	84.8	11	14	10	9	26	100	41.2	45	49.2	19	2.0
UCFC-209	45	160	132	93.3	10	16	12	14	26	105	40.2	44	49.2	19	2.6
UCFC-210	50	165	138	97.6	10	16	12	14	28	110	42.6	47	51.6	22.2	2.9
UCFC-211	55	160	150	160.1	13	19	12	15	31	120	46.4	50.5	55.6	25.4	4.2
UCFC-212	60	195	190	113.1	17	19	12	15	36	130	56.7	61	65.1	25.4	5.0
UCFC-213	65	205	170	120.2	16	19	14	15	36	140	55.7	60	65.1	30.2	5.6
UCFC-214	70	215	177	125.1	17	19	14	18	40	150	61.4	66	74.6	33.3	6.8
UCFC-215	75	220	184	130.1	18	19	16	18	40	160	62.5	67	77.8	33.3	7.2
UCFC-216	80	240	200	141.4	18	23	16	18	42	170	67.3	72	82.6	33.3	8.7
UCFC-217	85	250	208	147.1	18	23	18	20	45	180	69.6	74	85.7	34.1	10.3
UCFC-218	90	265	220	155.5	22	23	18	20	50	190	78.3	83	96	39.7	13.3

RODAMIENTO CON SOPORTE DE FUNDICIÓN PILLOW BLOCKS

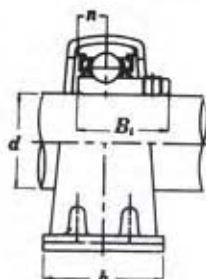
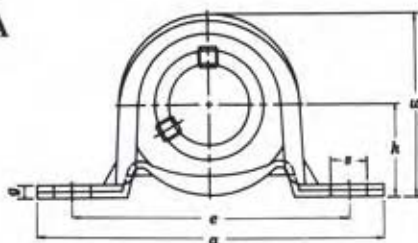
Serie UCT
Series



RODAMIENTO BEARING N°	DIMENSIONES-DIMENSIONS (mm. ó in.)														PESO WEIGHT Kg			
	d	o	g	p	q	s	b	k	e	a	w	j	l	h		t	Bi	n
UCT-201	12	16	10	51	32	19	51	12	76	89	94	32	21	61	44	21	12.7	0.79
UCT-201-8	1/2"	16	10	51	32	19	51	12	76	89	94	32	21	61	44	31	12.7	0.79
UCT-202	15	16	10	51	32	19	51	12	76	89	94	32	21	61	44	31	12.7	0.79
UCT-202-10	5/8"	16	10	51	32	19	51	12	76	89	94	32	21	61	44	31	12.7	0.79
UCT-203	17	16	10	51	32	19	51	12	76	89	94	32	21	61	44	31	12.7	0.79
UCT-204-12	3/4"	16	10	51	32	19	51	12	76	89	94	32	21	61	44	31	12.7	0.79
UCT-204	20	16	10	51	32	19	51	12	76	89	94	32	21	61	44	31	12.7	0.79
UCT-205	25	16	10	51	32	19	51	12	76	89	97	32	24	62	48	34	14.3	0.84
UCT-205-16	1"	16	10	51	32	19	51	12	76	89	97	32	24	62	48	34	14.3	0.84
UCT-206-18	1-1/8"	16	10	56	37	22	57	12	89	102	113	37	28	70	52	38.1	15.9	1.3
UCT-206	30	16	10	56	37	22	57	12	89	102	113	37	28	70	52	38.1	15.9	1.3
UCT-207-20	1-1/4"	16	13	64	37	22	64	12	89	102	129	37	30	78	59	42.9	17.5	1.6
UCT-207	35	16	13	64	37	22	64	12	89	102	129	37	30	78	59	42.9	17.5	1.6
UCT-208-24	1-1/2"	19	16	83	49	29	83	16	102	114	114	49	33	88	68	49.2	19	2.5
UCT-208	40	19	16	83	49	29	83	16	102	114	114	49	33	88	68	49.2	19	2.5
UCT-209-28	1-3/4"	19	16	83	49	29	83	16	102	117	114	49	35	87	68	49.2	19	2.4
UCT-209	45	19	16	83	49	29	83	16	102	117	114	49	35	87	68	49.2	19	2.4
UCT-210	50	19	16	83	49	29	86	16	102	117	149	49	37	90	73	51.6	19	2.6
UCT-211-32	2"	25	19	102	64	35	95	22	130	146	171	64	38	106	75	55.6	22.2	4.0
UCT-211	55	25	19	102	64	35	95	22	130	146	171	64	38	106	75	55.6	22.2	4.0
UCT-211-36	2-1/4"	32	19	102	64	35	102	22	130	146	194	64	42	119	88	65.1	25.4	4.9
UCT-212	60	32	19	102	64	35	102	22	130	146	194	64	42	119	88	65.1	25.4	4.9
UCT-213-40	2-1/2"	32	21	111	70	41	121	26	151	167	224	70	44	137	88	65.1	25.4	6.9
UCT-213	65	32	21	111	70	41	121	26	151	167	224	70	44	137	88	65.1	25.4	6.9
UCT-214	70	32	21	111	70	41	121	26	151	167	224	70	46	137	98	74.6	30.2	7.0
UCT-215	75	32	21	111	70	41	121	26	151	167	232	70	48	140	98	77.8	33.3	7.3
UCT-215-48	3"	32	21	111	70	41	121	26	151	167	232	70	48	140	98	77.8	33.3	7.3
UCT-216	80	32	21	111	70	41	121	26	165	184	235	70	51	140	108	82.6	33.3	8.2
UCT-217	85	88	29	124	73	48	157	30	173	198	260	73	54	162	112	85.7	34.1	11.0

RODAMIENTO CON SOPORTE DE CHAPA

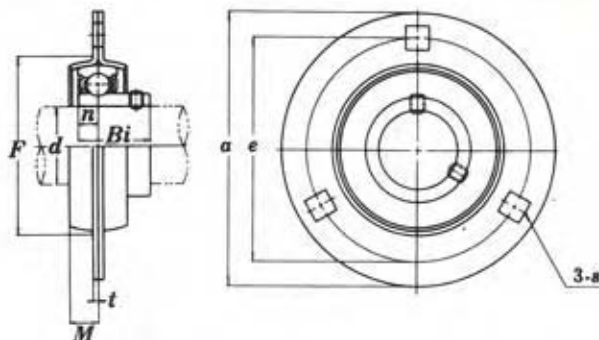
Serie SAPP/SBPP
Series



RODAMIENTO BEARING N°	DIMENSIONES-DIMENSIONS (mm. ó in.)										PESO WEIGHT Kg
	d	h	a	e	b	s	g	w	n	Bi	
SAPP-201	12	22.2	86	68	25	9.5	3.2	43.8	6	22	0.19
SBPP-201-8	1/2 "	22.2	86	68	25	9.5	3.2	43.8	6	22	0.16
SBPP-202	15	22.2	86	68	25	9.5	3.2	43.8	6	22	0.16
SBPP-202-10	5/8 "	22.2	86	68	25	9.5	3.2	43.8	6	22	0.16
SBPP-203	17	22.2	86	68	25	9.5	3.2	43.8	6	22	0.16
SBPP204-12	3/4 "	25.4	98	76	32	9.5	3.2	50.5	7	25	0.23
SBPP-204	20	25.4	98	76	32	9.5	3.2	50.5	7	25	0.23
SBPP-205	25	28.6	108	86	32	11.5	4	56.6	7.5	27	0.28
SBPP-205-16	1 "	28.6	108	86	32	11.5	4	56.6	7.5	27	0.28
SBPP-206-18	1-1/8 "	33.3	118	95	38	11.5	4	66.3	8	30	0.47
SBPP-206	30	33.3	118	95	38	11.5	4	66.3	8	30	0.47
SBPP-207-20	1-1/4 "	39.7	129	106	42	11.5	4.6	78	8.5	32	0.57
SBPP-207	35	39.7	129	106	42	11.5	4.6	78	8.5	32	0.57

RODAMIENTO CON SOPORTE DE CHAPA

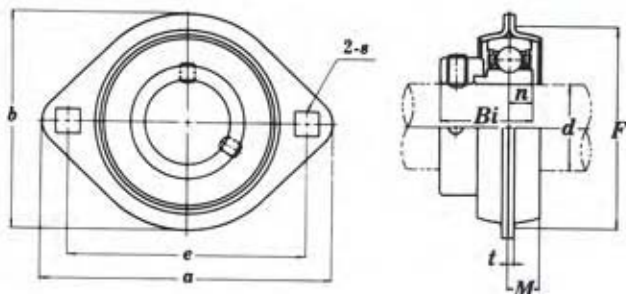
Serie SAPF/SBPF
Series



RODAMIENTO BEARING N°	DIMENSIONES-DIMENSIONS (mm. ó in.)								PESO WEIGHT Kg
	d	a	e	M	t	s	n	Bi	
SAPF-201	12	81	63.5	7	2	7.1	6	22	0.30
SBPF-201-8	1/2 "	81	63.5	7	2	7.1	6	22	0.27
SBPF-202	15	81	63.5	7	2	7.1	6	22	0.27
SBPF-202-10	5/8 "	81	63.5	7	2	7.1	6	22	0.27
SBPF-203	17	81	63.5	7	2	7.1	6	22	0.27
SBPF-204-12	3/4 "	91	71.5	8	2	8.7	7	25	0.33
SBPF-204	20	91	71.5	8	2	8.7	7	25	0.33
SBPF-205	25	96	76	9	2	8.7	7.5	27	0.38
SBPF-205-16	1 "	96	76	9	2	8.7	7.5	27	0.38
SBPF-206-18	1-1/8 "	113	90.5	10	2.6	10.5	8	30	0.62
SBPF-206	30	113	90.5	10	2.6	10.5	8	30	0.62
SBPF-207-20	1-1/4 "	123	100	10.5	2.6	10.5	8.5	32	0.82
SBPF-207	35	123	100	10.5	2.6	10.5	8.5	32	0.82

RODAMIENTOS CON SOPORTE DE CHAPA

Serie SAPFL / SBPFL
Series



RODAMIENTO BEARING N°	DIMENSIONES-DIMENSIONS (mm. ó in.)									PESO WEIGHT Kg
	d	a	e	M	b	t	s	n	Bi	
SAPFL-201	12	81	63.5	7	59	2	7.1	6	22	0.22
SBPFL-201-8	1/2 "	81	63.5	7	59	2	7.1	6	22	0.19
SBPFL-202	15	81	63.5	7	59	2	7.1	6	22	0.19
SBPFL-202-10	5/8 "	81	63.5	7	59	2	7.1	6	22	0.19
SBPFL-203	17	81	63.5	7	59	2	7.1	6	22	0.19
SBPFL-204-12	3/4 "	91	71.5	8	67	2	8.7	7	25	0.24
SBPFL-204	20	91	71.5	8	67	2	8.7	7	25	0.24
SBPFL-205	25	96	76	9	71	2	8.7	7.5	27	0.28
SBPFL-205-16	1 "	96	76	9	71	2	8.7	7.5	27	0.28
SBPFL-206-18	1-1/8 "	113	90.5	10	84	2.6	11	8	30	0.38
SBPFL-206	30	113	90.5	10	84	2.6	11	8	30	0.38